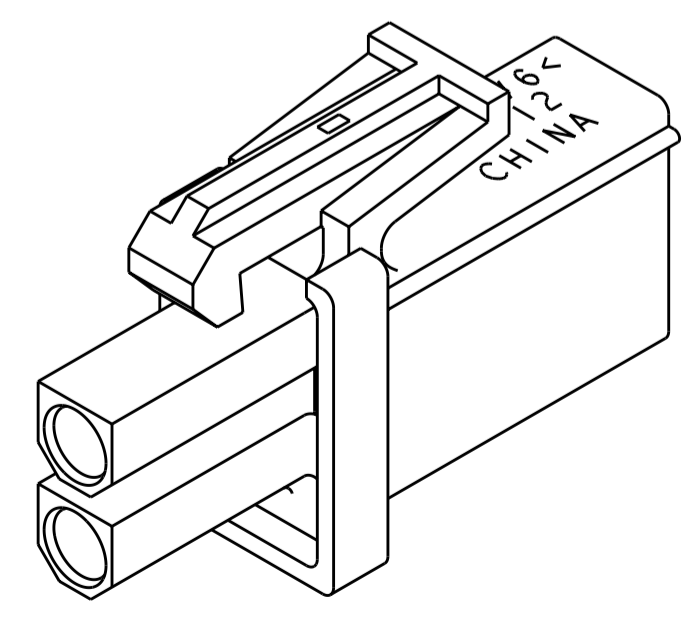
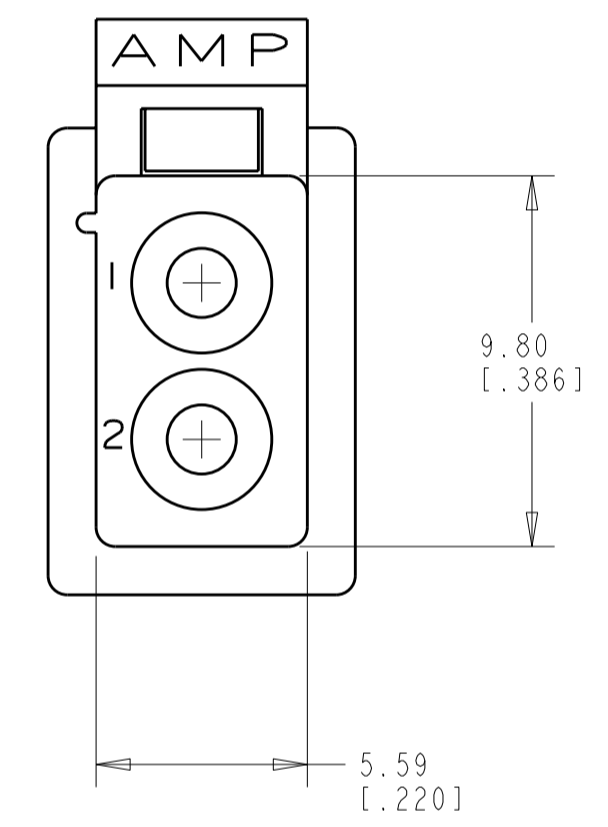
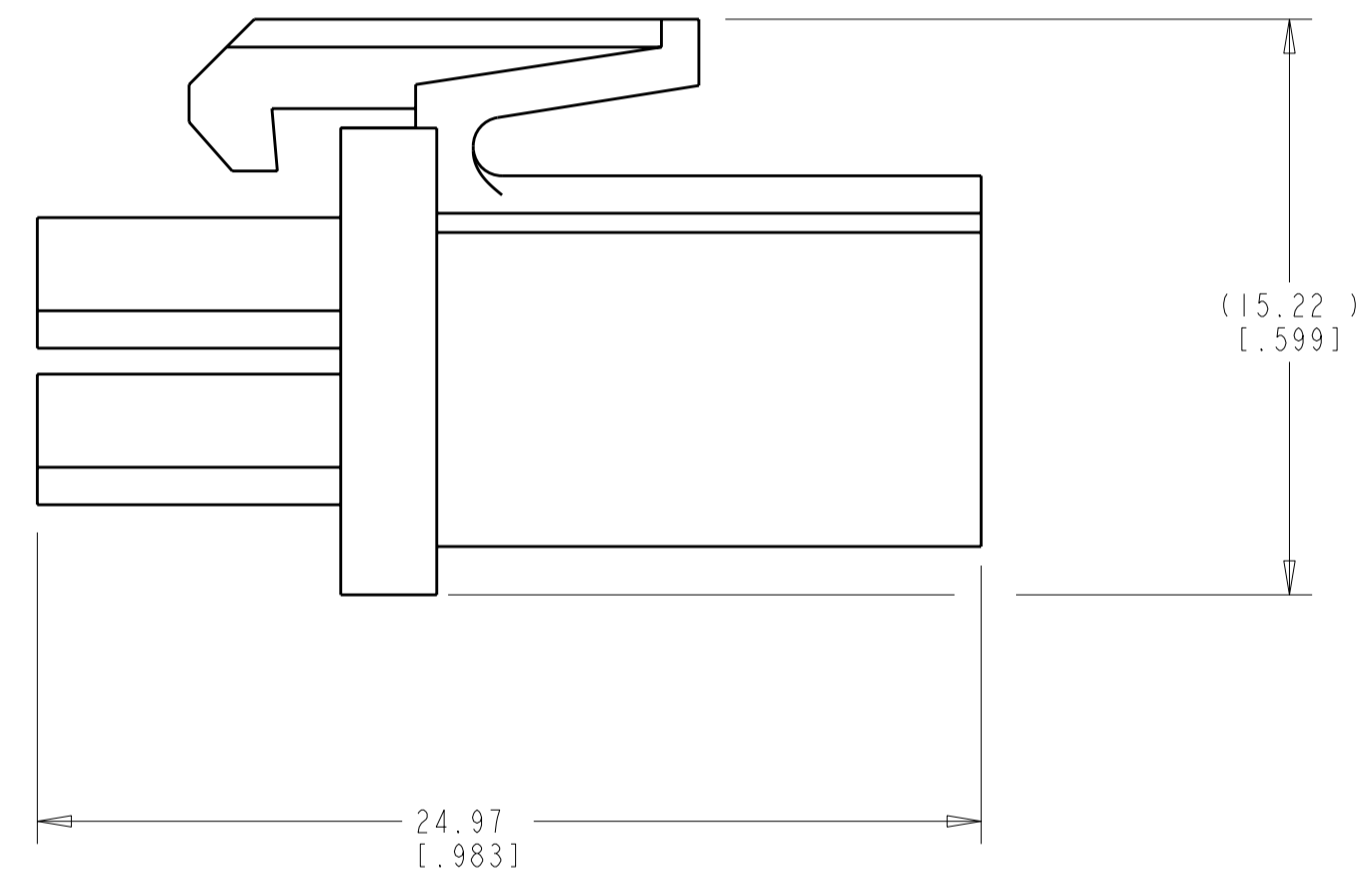
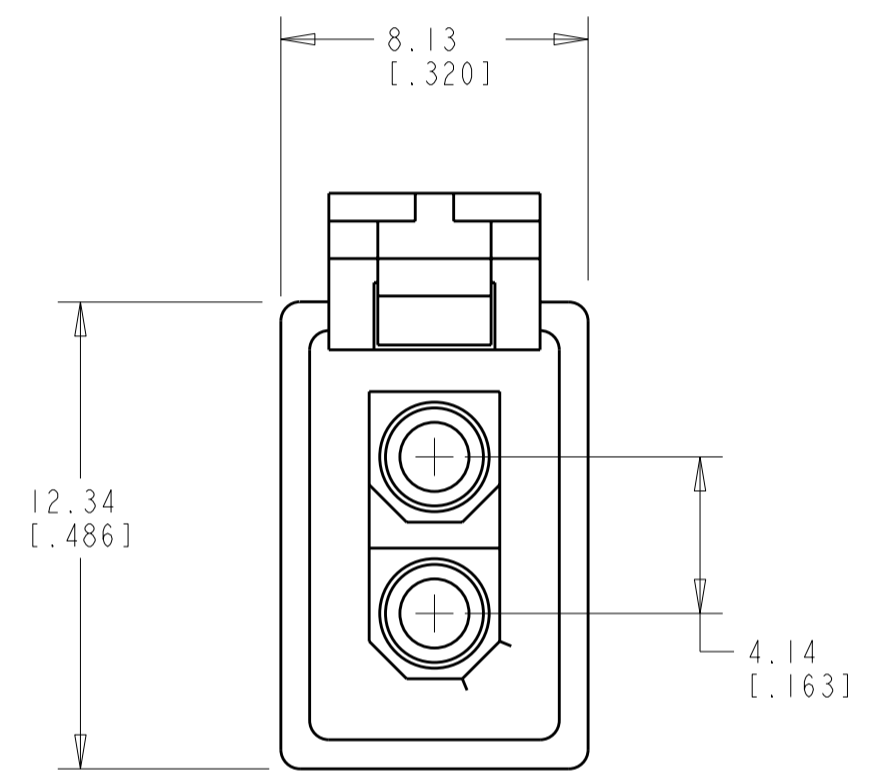


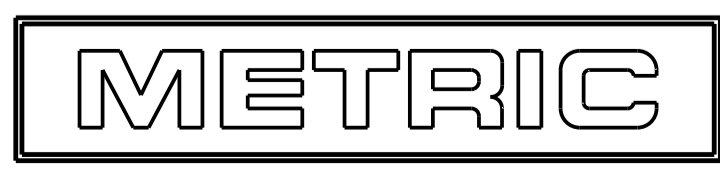
THIS DRAWING IS UNPUBLISHED. RELEASED FOR PUBLICATION 20
 © COPYRIGHT 20 BY - ALL RIGHTS RESERVED.

LOC	DIST	REVISIONS					
CM	00	P	LTR	DESCRIPTION	DATE	DWN	APVD
		B1		REVISED PER ECO-11-005027	15MAR2011	RK	HMR
		B2		ECR-11-023708	22NOV2011	MGT	R.P

1. DIMENSIONS IN BRACKETS ARE IN INCHES.
 △ GWT 750° (WITH OUT FLAME) ACC. IEC 60335-1



3 DIMENSIONAL MODEL
 SCALE 4:1



△	NATURAL	PA 6 UL94-V2	794894-3
△	RED	PA 6 UL94-V2	794894-2
	NATURAL	PA66/6 UL94 V-0	794894-1
REMARKS	COLOUR	MATERIAL	PART NUMBER

THIS DRAWING IS A CONTROLLED DOCUMENT.		DWN	26-JAN-2001	TE Connectivity							
DIMENSIONS: mm [INCHES]		CHK	26-JAN-2001								
TOLERANCES UNLESS OTHERWISE SPECIFIED:		APVD	26-JAN-2001								
0 PLC ±- 1 PLC ±- 2 PLC ±0.13 [.005] 3 PLC ±- 4 PLC ±- ANGLES ±0° 30'		NAME	PLUG, 2 CIRCUIT, SEALED APPLICATION, MINI UNIVERSAL MATE-N-LOK(TM)								
MATERIAL	SEE TABLE	PRODUCT SPEC		SIZE	A2	CAGE CODE	00779	DRAWING NO	C-794894	RESTRICTED TO	-
		APPLICATION SPEC		SCALE	5:1	SHEET	1	OF	1	REV	B2
		WEIGHT	-	CUSTOMER DRAWING							